

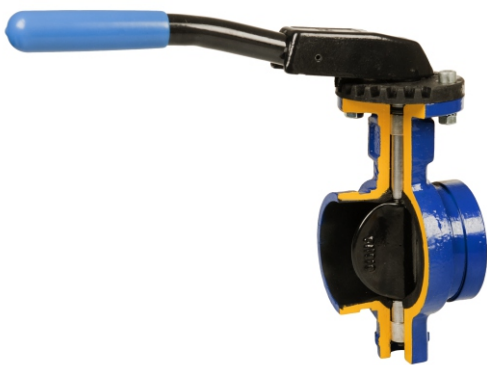


figure

494

ends  
formgrooved ends  
straight**BUTTERFLY VALVE zBUT**

body material	nominal pressure	nominal diameter	max. temperature
<b>B</b> nodular cast iron	<b>C</b> 16 bar	<b>DN</b> 50-100	110°C

**FEATURES**

- high tightness
- seat materials EPDM/NBR
- central disc bearing
- environment-friendly
- easy to instal

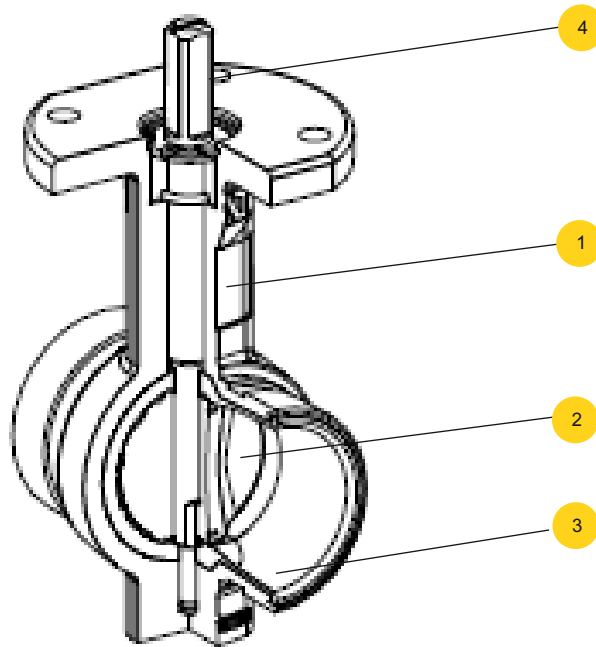
**APPLICATION**

- cold water plants



figure

494

ends  
formgrooved ends  
straight**MATERIALS**

	body material	B
	type	66
1	body	EN-GJS-400-15 5.3106 (ex.JS 1030) + EPOXY
2	disc	EN-GJS-400-15 5.3106 (ex.JS 1030) + EPOXY
3	seat	EPDM
4	stem	AISI 420
	max. temperature	110°C



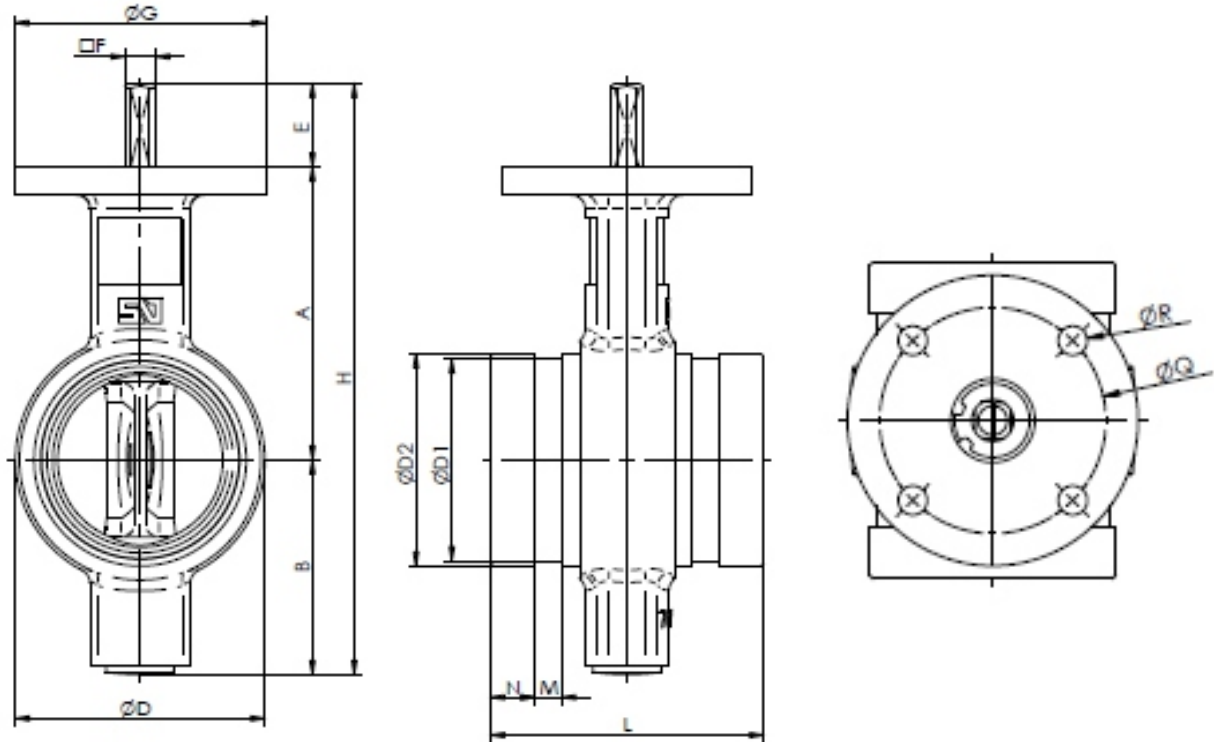
figure

494

ends  
form

grooved ends  
straight

**DIMENSIONS**



DN		A	B	D	D1	D2	E	F	G	H	L	M	N	R	P	Q		ISO
mm	inch	mm															kg	
50	2"	100	50	70	60,3	60,3	30	11	90	180	86	8	16	4x9	13	70	1,7	F-07
65	2 1/2"	105	77	89,5	76,1	76,1	30	11	90	212	97	9,5	16	4x9	13	70	2,3	F-07
80	3"	112	85	102	88,9	88,9	30	11	90	227	97	9,5	16	4x9	13	70	2,8	F-07
100	4"	135	97	128	110,1	114,3	30	11	90	262	116	9,5	16	4x9	13	70	3,9	F-07

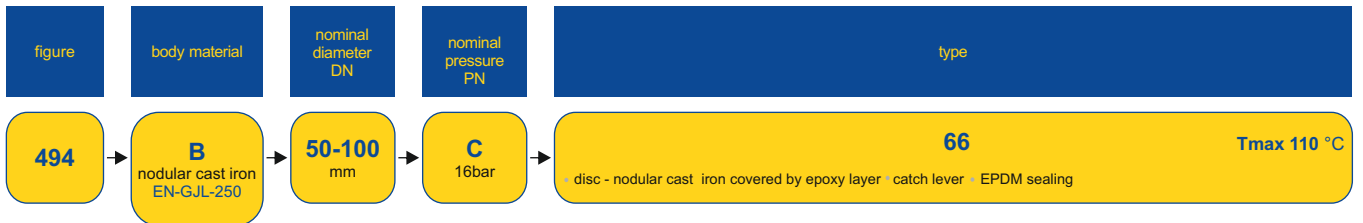
Data given can be changed without notice.

Edition 06/2016



figure	<b>494</b>
ends form	grooved ends straight

## TYPES



## ORDERING

To place an order please use our product number (index)



### ORDER EXAMPLE

