



figure

701

ends  
form

threaded  
straight



## RUBBER EXPANSION JOINT zJOI

| body material | nominal pressure | nominal diameter | max temperature |
|---------------|------------------|------------------|-----------------|
| L<br>EPDM     | C<br>16 bar      | DN<br>20-80      | 100°C           |



### FEATURES

- galvanized iron thread
- easy to install

### APPLICATION

- industrial cold and hot water installations
- heating and ventilation installations
- compressed air installations

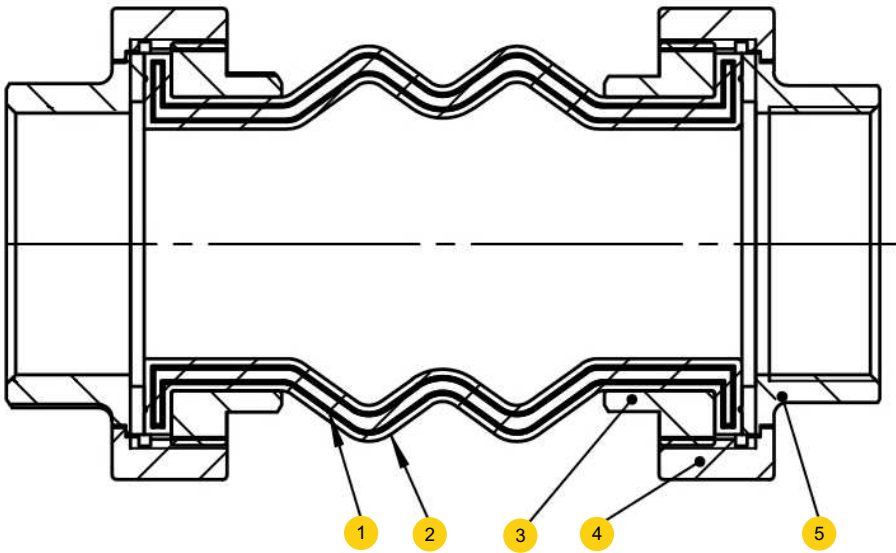
Data given can be changed without notice.

Edition 06/2016



|           |                   |
|-----------|-------------------|
| figure    | <b>701</b>        |
| ends form | threaded straight |

**MATERIALS**



|   | body material      | L               |
|---|--------------------|-----------------|
|   | type               | 00              |
| 1 | body               | EPDM            |
| 2 | reinforcing fabric | nylon           |
| 3 | union screw        | galvanized iron |
| 4 | ring nut           | galvanized iron |
| 5 | union flange       | galvanized iron |
|   | max temperature    | 100C            |

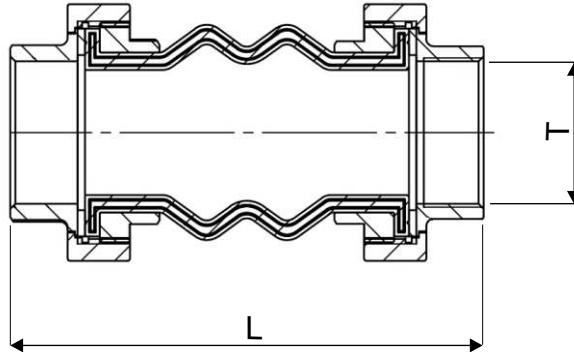
Data given can be changed without notice.

Edition 06/2016



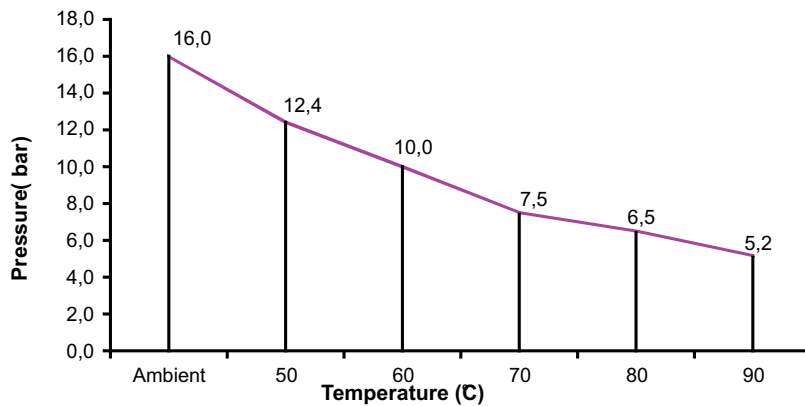
**figure 701**  
 ends form threaded straight

## DIMENSIONS



| DN | T             | L   | compression | allongation | lateral deflection | angular deflection | Kv    |      |
|----|---------------|-----|-------------|-------------|--------------------|--------------------|-------|------|
| mm | ISO 228-1 NPT | mm  | mm          |             | ± mm               | ± degrees          | m3/h  | kg   |
| 20 | 3/4"          | 165 | 22          | 6           | 22                 | 30                 | 8,3   | 0,58 |
| 25 | 1"            | 175 | 22          | 6           | 22                 | 30                 | 15,6  | 0,90 |
| 32 | 1 1/4"        | 186 | 22          | 6           | 22                 | 30                 | 24,5  | 1,25 |
| 40 | 1 1/2"        | 186 | 22          | 6           | 22                 | 30                 | 37,8  | 1,72 |
| 50 | 2"            | 200 | 22          | 6           | 22                 | 20                 | 58,3  | 2,75 |
| 65 | 2 1/2"        | 218 | 22          | 6           | 22                 | 15                 | 127,8 | 3,60 |
| 80 | 3"            | 260 | 22          | 6           | 22                 | 15                 | 157,7 | 5,20 |

## PRESSURE-TEMPERATURE RATINGS



Allowed working conditions range  
 PN 16 DN20 - DN80

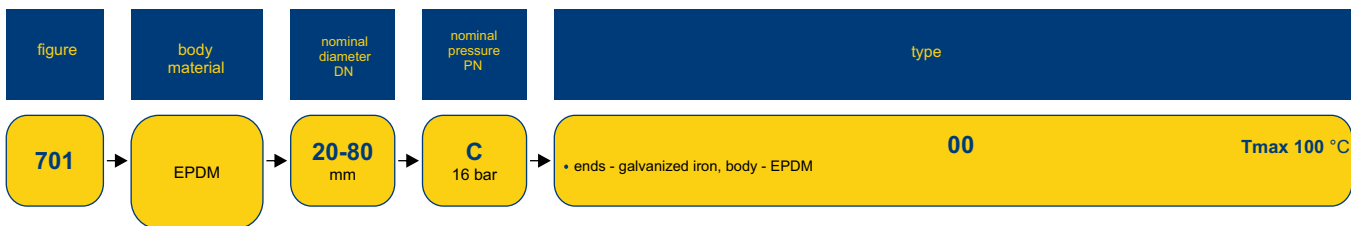
Data given can be changed without notice.

Edition 06/2016



|           |                   |
|-----------|-------------------|
| figure    | <b>701</b>        |
| ends form | threaded straight |

## TYPES



## ORDERING

To place an order please use our product number (index)



### ORDER EXAMPLE

