



figure

496

ends
formwafer type
straight**BUTTERFLY VALVE zBUT**

body material	nominal pressure	nominal diameter	max temperature
J aluminum	B 10 bar	DN 50-100	95°C
	A 6 bar	DN 125-200	95°C

**FEATURES**

- high tightness
- seat materials EPDM/NBR/SILICONE/STEAM SILICONE/VITON/HYPALON/NEOPREN/FLUCAST
- central disc bearing
- environment-friendly
- one piece body

APPLICATION

- heating installations
- air conditioning installations
- agriculture - food installations

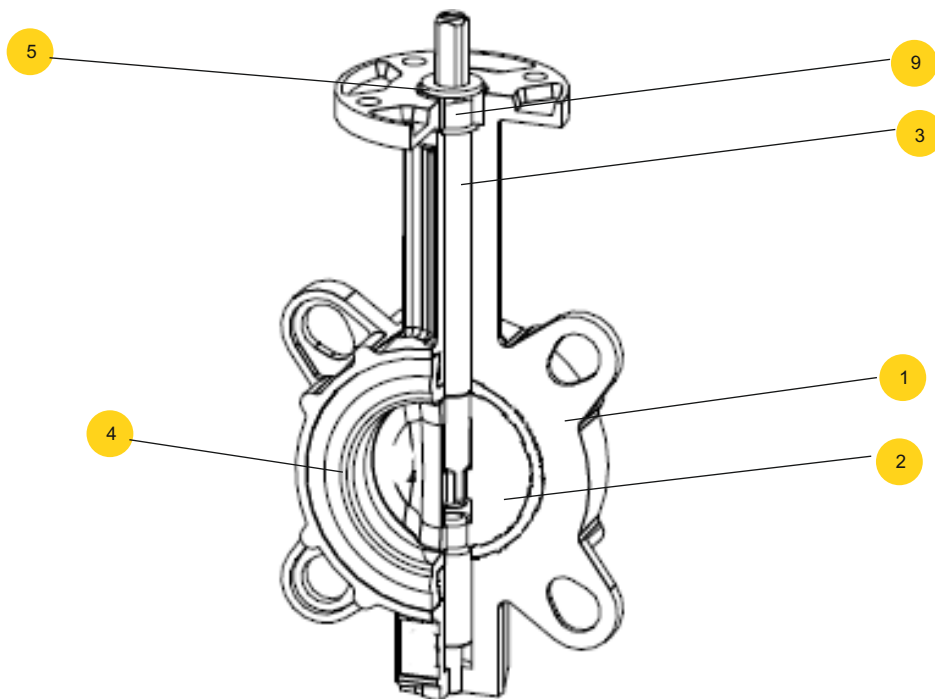
Data given can be changed without notice.

Edition 06/2016



figure	496
ends form	wafer type straight

MATERIALS



	body material	J
	type	depend of the using components
1	body	EN AC 47100
2	disc	nodular cast iron, stainless steel, aluminum bronze, duplex,super duplex, nodular cast iron covered EPDM
3	stem	X20Cr13 1.4021
4	seat	EPDM, NBR, SILICONE, VITON, HYPALON, NEOPREN, BUTY,
5	retaining ring	zinc plated steel
6	zegi ring	nickel olated steel
7	lower plug	EPDM
8	zegi ring	nickel olated steel
9	bushing	steel-bz-PTFE
	max. temperature	95 °C



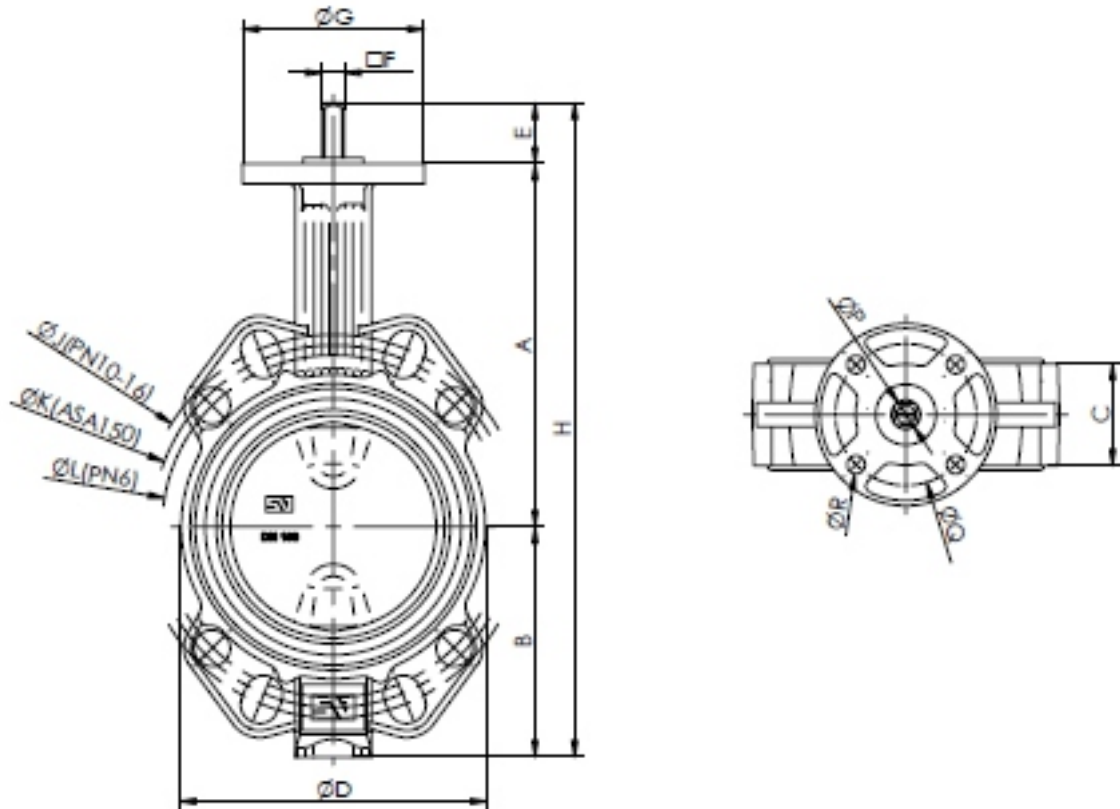
figure

496

ends
form

wafer type
straight

DIMENSIONS



DN		A	B	C	D	E	F	G	H	J	K	Q	L	R		ISO
mm	inch	mm													kg	
50	2"	140	80	43	96,5	30	11	90	250	125	120,7	70	110	4x9	1,2	F-07
65	2 1/2"	154	91	46	112,5	30	11	90	275	145	139,7	70	130	4x9	1,6	F-07
80	3"	160	100	46	127,5	30	11	90	290	160	152,4	70	150	4x9	1,8	F-07
100	4"	180	114	52	152,5	30	11	90	324	180	190,5	70	170	4x9	2,3	F-07
125	5"	197	130	56	180	33	14	90	360	210	215,9	70	200	4x9	3,4	F-07
150	6"	210	144,5	56	207	33	14	90	387,5	240	241,3	70	225	4x9	4,3	F-07
200	8"	240	175	60	265	33	14	90	448	295	298,5	70	280	4x9	6,6	F-07

Data given can be changed without notice.

Edition 06/2016



figure	496
ends form	wafer type straight

TYPES

figure	body material	nominal diameter DN	nominal pressure PN	type
496	J aluminium EN AC 47100	50-100 mm	B 10bar	66 disc - ductile iron covered by epoxy layer catch lever EPDM sealing Tmax 95 °C
		125-200 mm	A 6bar	66 disc - ductile iron covered by epoxy layer catch lever EPDM sealing Tmax 95 °C

other material version on client's request

ORDERING

To place an order please use our product number (index)



ORDER EXAMPLE

